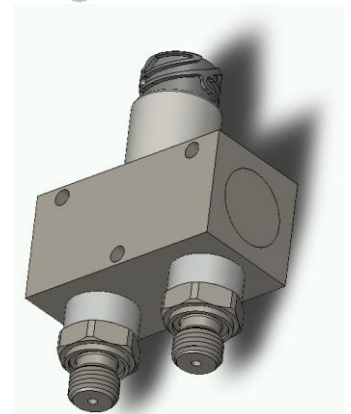
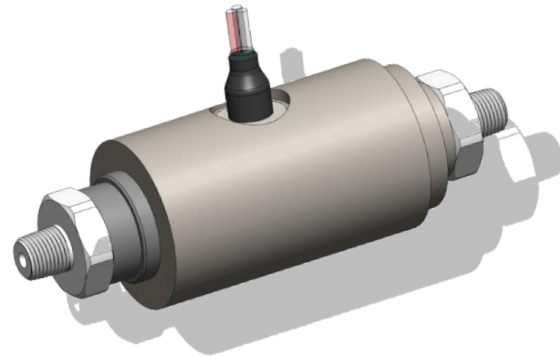


PRODUCT FEATURE

WET – WET differential pressure transducer

MAIN FEATURES

Pressure range (LINE):	10 mbar up to 5000 bar
Pressure range (ΔP):	1:20 as ratio to LINE pressure
Temperature range:	up to 125 °C
Response time (ΔP):	≤ 10 ms
Pressure signal:	0 – 10V @24V or ratiometric @5V
Contact material:	SS 303 and 304, fully welded design
Pressure fitting:	$\frac{1}{4}$ NPT each (or others)
Overall dimensions:	125 mm / \varnothing 40 mm
Total weight:	approx. 400 grams



FIELDS OF APPLICATION

- Fuel / and other hydraulics and air filter systems with high over pressures
- Rail way applications with need for differential pressure measurement
- Applications with high electric (700 VDC isolation) and EMI withstand requirements to DIN EN 50121
- High media compatibility due to stainless steel in contact with pressurized media
- test bench and system evaluation

FLEXIBLE PRODUCT FEATURES

- Adjustment to any pressure range up to 5000 bar, adjustment of differential pressure indication
- Adjustment to the output signal and pressure connection
- High over pressure ratings available if required
- Set a switch point to high and / or low side pressure port; factory set only

If you need further information, please don't hesitate to contact us!